

Light + Air
UK & Republic of Ireland



Kingspan Eura Louvred Smoke & Heat Vent Data Sheet

Louvred vent designed to extract large volumes of warm air & smoke



Daylighting Solutions
Natural Ventilation Solutions
Smoke Management Solutions
Service & Maintenance
Building Automation



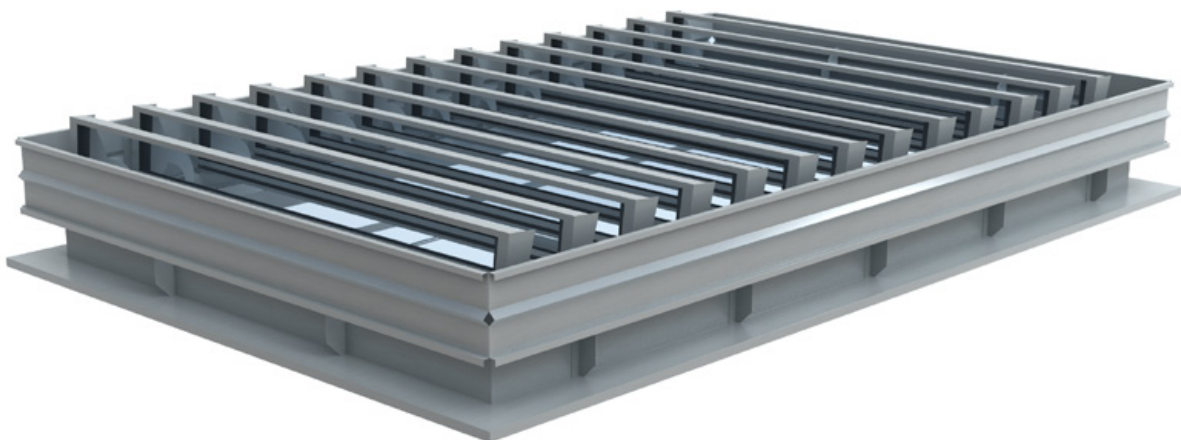
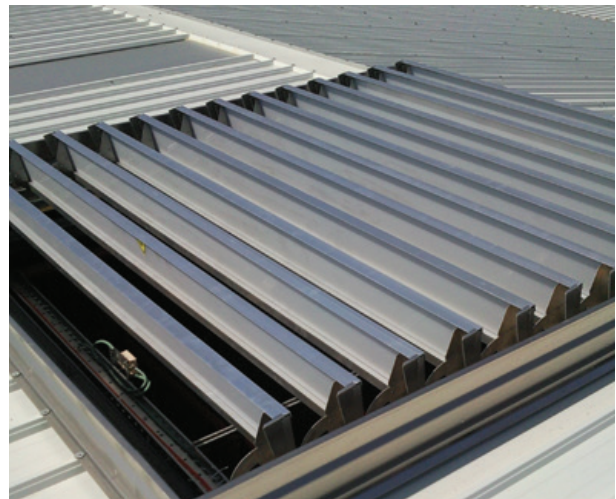
Application

Suitable for roof or facade application, the Eura louvred vent has been designed to remove large amounts of warm air or smoke from internal spaces, making it ideal for both natural ventilation and also as a smoke and heat exhaust vent (SHEV).

Building Types: Industrial, Manufacturing, Commercial and Retail

Material

- Aluminium: The aluminium is tempered, sea water and corrosion-resistant (EN AW 5754) and is supplied untreated as standard.
- Corrosion-resistant bearings.
- Seal incorporating a weather-resistant sealing strip longitudinally and energy strips. The seal is applied in such a manner that there is no risk of freezing and offers a high level of draft-proof performance.
- If desired the Eura can be supplied in an anodised or powder-coated design (in any RAL colour).
- The Eura can also be designed to incorporate noise-damping wings and bird or insect mesh.



Technical Specifications

Controls

Natural ventilation:

- P Single-action compressed air operation
- P2 Double-action compressed air operation
- M Motor operation (24 Vdc of 230 Vac)
- K Cable operation

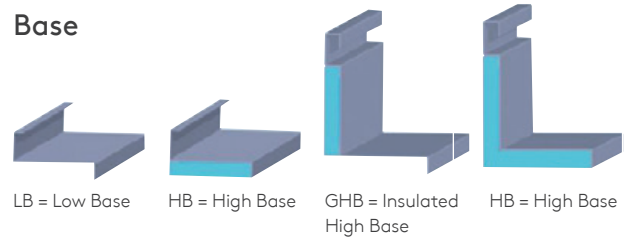
Fire ventilation according to EN 12101-2:

- PB Single-action compressed air operation with fire function
- P2B Double-action compressed air operation with fire function
- PB-FS Single-action compressed air operation with fire function failsafe (up to 13 louvers)
- PB-M Single-action compressed air operation with fire function and motor operation
- PB-10 bar Single-action compressed air operation with fire function activated at ≥ 10 bar
- M24V Motor operation 24V

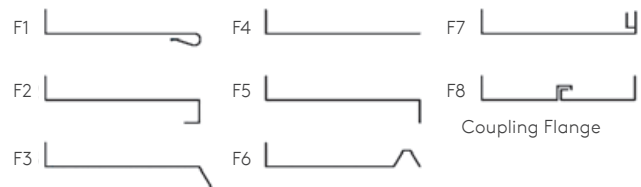
Regulations

The system has been tested and is certified in accordance with EN 12101-2.

Base



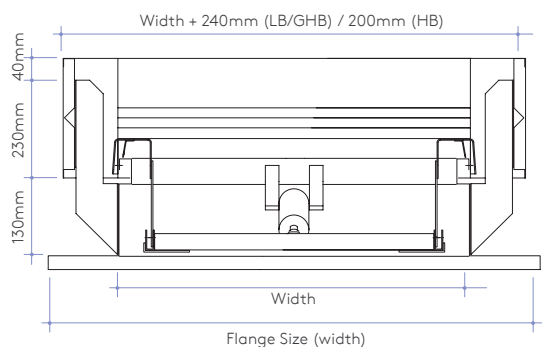
Flanges



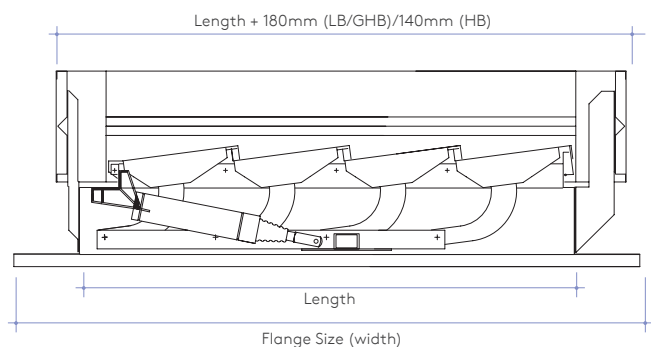
Kleptechnik



Cross Section



Longitudinal Section



Technical Specifications

Dimensions Ventilator (mm)

Type LB*/GHB	Width (mm)	Number of Louvers														
		3	4	5	6	7	8	9	10	11	12	13	14	15	16	17
030	300	Length (mm)														
060	600															
120	1200															
180	1800															
240	2400															
HB	Width	Length (mm)														
030	340	Length (mm)														
060	640															
120	1240															
180	1840															
240	2440															

* LB 14 through 17 louvers for assessment: applicability depending on installation situation. Intermediate width dimensions possible.

Weight per ventilator (kg)

Type	Number of Louvers														
	3	4	5	6	7	8	9	10	11	12	13	14	15	16	17
030	10	12	14	16	18	20	22	24	26	28	30	32	34	36	38
060	19	23	27	30	33	36	39	42	45	48	51	54	57	60	63
120	28	33	38	42	47	51	56	60	65	69	74	78	82	86	90
180	36	42	48	54	60	66	72	78	84	90	96	102	108	114	120
240	45	52	59	66	73	80	87	94	101	108	115	122	129	136	143

Example type indication: Eura 180-10/ GHB/M24V/F5 means: Eura louvered ventilator, width 1800 mm, length 2260 mm (10 louvers); an isolated high base; 24V motor operation, F5 flange.

Contact Details

UK

Kingspan Light + Air

Mellyn Mair Business Centre
Lamby Industrial Park | Wentloog Avenue
Cardiff | CF3 2EX

T: +44 (0) 29 2077 6160

E: info@kingspanlightandair.com

www.kingspanlightandair.co.uk

Ireland

Kingspan Light + Air

Carrickmacross Road | Kingscourt
County Cavan | A82 E897

T: +353 (0) 42 969 8500

F: +353 (0) 42 969 8572

E: info@kingspanlightandair.com

www.kingspanlightandair.ie

For the product offering in other markets please
contact your local sales representative or visit
www.kingspanlightandair.co.uk

Care has been taken to ensure that the contents of this publication are accurate, but Kingspan and its subsidiary companies do not accept responsibility for errors or for information that is found to be misleading. Suggestions for, or description of, the end use or application of products or methods of working are for information only and Kingspan Limited and its subsidiaries accept no liability in respect thereof.

© Kingspan is a Registered Trademark of the Kingspan Group plc in the UK, Ireland and other countries. All rights reserved.